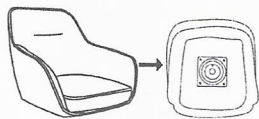




# Assembly Instruction

1 PERSON



(A) x1



(B) x4



(C) x4



15min



M6\*12

(D) x4



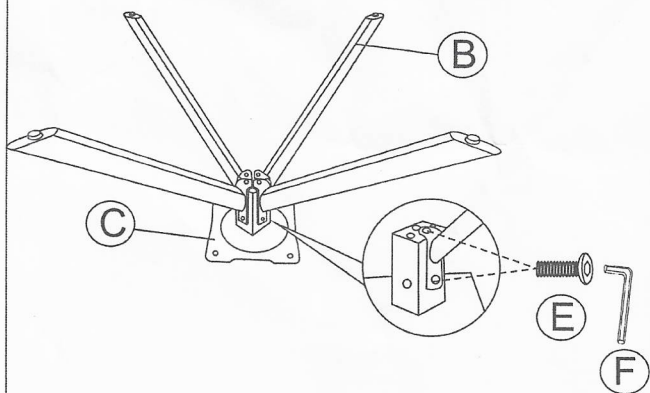
M6\*20

(E) x8

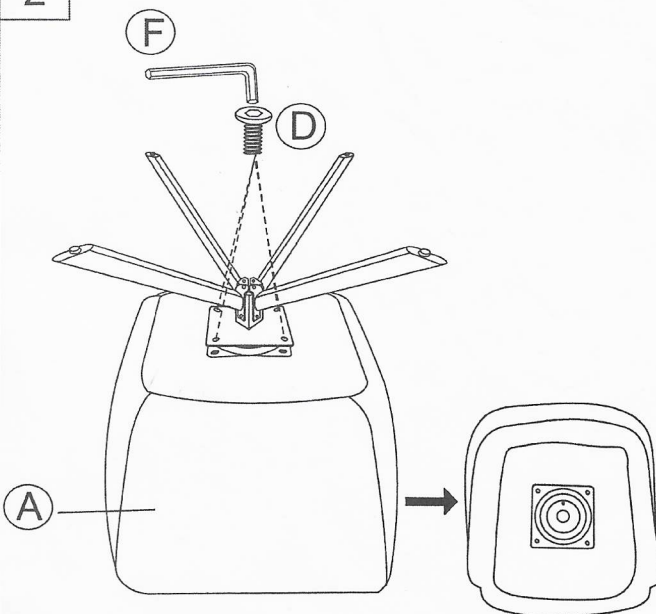


(F) x1

1



2



3

